



English

norcool



OPERATING & INSTALLATION INSTRUCTIONS

CAVE 45 BI DZ | 60 BI DZ



Please visit **en.norcool.com** for operating & installation instructions in other languages.

Innhold

1. Safety instructions and warnings	5
2. Components and parts	7
3. Installation	8
4. Appliance features and wine storage	10
5. Operating your appliance	12
6. Care and maintenance	14
7. Troubleshooting guide	15
8. Technical specifications	16
9. Disposal of used products	17

1. Safety instructions and warnings

Please read these instructions fully before installing or operating the product.

THE MANUFACTURER OF THIS APPLIANCE CANNOT BE HELD LIABLE FOR DAMAGE CAUSED BY NONCOMPLIANCE WITH THESE SAFETY INSTRUCTIONS AND WARNINGS.

- Secure the accessories during transportation to prevent damage.
- The appliance is designed for use within a certain temperature range (ambient temperatures), and should not be used outside this range. The temperature range for your appliance is specified on the data plate inside the appliance.

Warning:

- Do not install or use a damaged appliance. Contact your manufacturer immediately for further advice before connecting the power cord.
- Due to the instability of the appliance, install the product in accordance with the instructions to avoid potential hazard.
- Do not damage the refrigerant circuit. Carry and position the appliance with care to prevent damage on the refrigerant circuit.
- Do not block the appliance's vents, as this will impair the efficiency of the appliance, increase its electricity consumption and could damage the appliance.
- Do not use mechanical devices or other means to accelerate the defrosting process, other than those recommended by the manufacturer.

This appliance contains the refrigerant Isobutane (R600a), a natural, environmentally friendly gas. It is important to ensure that no components of the cooling system were damaged during transport or installation. Leaking refrigerant can damage the eyes. In the event of any damage:

- Avoid open flames, switching the thermostat, and anything which creates a spark.
- Disconnect from the mains.
- Air the room in which the appliance is located for at least an hour.
- Contact the manufacturer for further advice.



According to the EN378 standard, the room must be at least 1 m³ per 8 g of cooling agent. The amount of refrigerant in the appliance is stated on the data plate inside the appliance.

Warning:

- Leaking refrigerant can form a flammable gas-air mixture in rooms which are too small.

The electrical safety of this appliance can only be guaranteed when there is an unbroken connection between the appliance and an effective earthing system, which complies with current local and national safety regulations. It is very important that this basic safety requirement is met and checked regularly. If there is any doubt, the household wiring must be checked by a qualified electrician.

Service and repairs may only be carried out by an authorized and qualified service technician in accordance with national and local safety regulations. Ensure the appliance is not plugged in during maintenance or repair work.

The appliance is only completely isolated from the electricity supply when:

- It has been unplugged
- The mains fuse has been switched off
- The screw-in plug fuse has been removed (in countries where this is applicable)

Warning:

- If the power cord is damaged, it must be replaced by the manufacturer, its service agent or similarly qualified persons in order to avoid a hazard.
- Before connecting the appliance, make sure that the connection data on the data plate (voltage and frequency), matches the mains electricity supply. This data must correspond in order to avoid the risk of damage to the appliance. Consult a qualified electrician if in any doubt.
- Do not connect the appliance to the mains electricity supply using an extension cord. Extension cords do not guarantee the required safety of the appliance (e.g. danger of overheating).
- Do not splash water on the appliance. It may cause electrical parts to fail and result in an electric shock.
- Do not use any electrical equipment inside the storage compartments of the appliance unless they are of the type recommended by the manufacturer. Danger of sparks and explosion.
- Do not use a steam-cleaning appliance to clean the appliance. Steam could reach the electrical components and cause a short circuit.

Children aged from 8 years and above, and persons with reduced physical, sensory or mental capabilities or lack of experience and knowledge can use this appliance if they have been given supervision or instruction concerning use of the appliance in a safe way and understand the hazards involved. Children shall not play with the appliance. Children without supervision shall not perform cleaning and user maintenance.

This appliance is intended for domestic use only and only for storing wine. It is designed for indoor use only and must be protected from rain, moisture and extreme temperature variations.

To reduce the risk of fire, electrical shock, or injury when using your appliance, follow these basic precautions:

This appliance is not intended for use by persons (including children) with reduced physical, sensory or mental capabilities, or lack of experience and knowledge, unless they have been given supervision or instruction concerning use of the appliance by a person responsible for their safety.

Children should be supervised to ensure that they do not play with the appliance. Read all instructions before using the wine or beverage cooler.

Warning:

- Risk of child entrapment.

To avoid the possibility of child entrapment, please take the following precautions before throwing out the appliance:

- Remove all doors from the unit.
- Leave the shelves in place so that children may not easily climb inside.

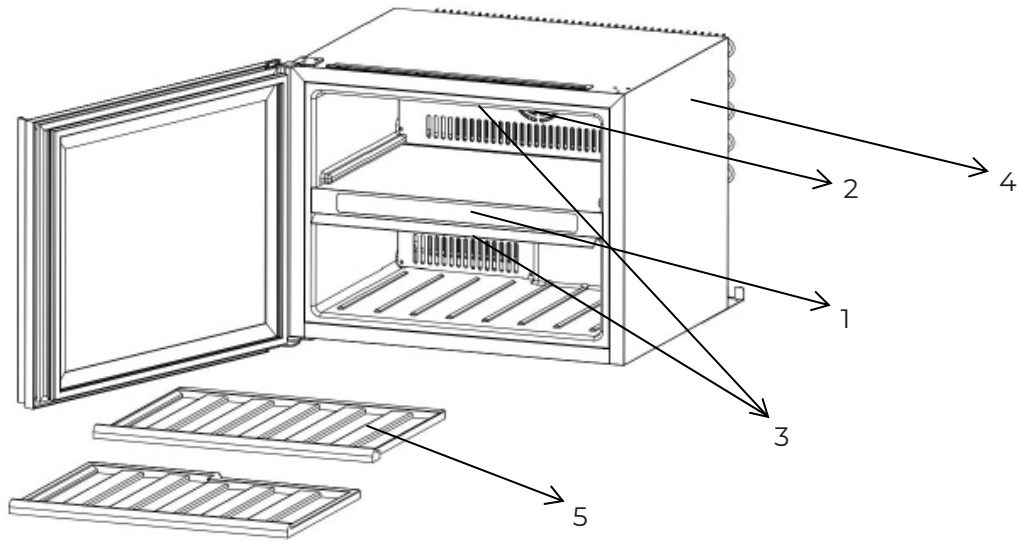
Never allow children to operate, play with, or crawl inside the appliance.

Refrigerants: All refrigeration products contain refrigerants, which under the guidelines of federal law must be removed before disposal of product. It is the consumer's responsibility to comply with federal and local regulations when disposing of this product.

Never clean appliance parts with flammable fluids. The fumes can create a fire hazard or explosion.

Do not store or use gasoline or any other flammable vapors and liquids in the vicinity of this or any other appliance. The fumes can create a fire hazard or an explosion.

2. Components and parts



Parts

- | | |
|-----------------------------------|------------------|
| 1 Temperature control and display | 4 Cabinet |
| 2 Circulation fan | 5 Wooden shelves |
| 3 Interior light | |

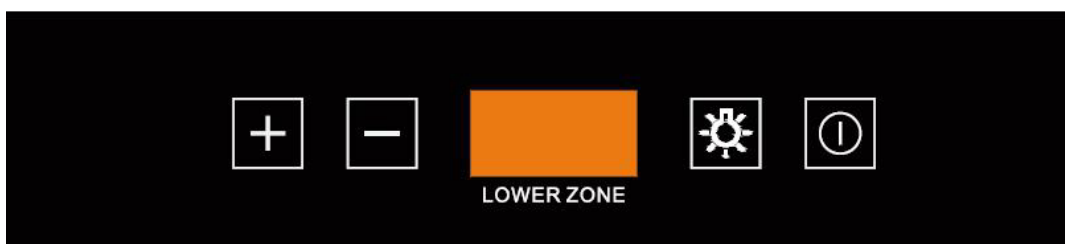
Upper zone controller/display



Warmer Colder

Light °C/°F

Lower zone controller/display



Warmer Colder

Light ON/OFF

3. Installation

Before using your appliance

- Remove the exterior and interior packaging.
- Before connecting the appliance to the power source, let it stand upright for approximately 4 hours. This will reduce the possibility of a malfunction in the cooling system from improper handling during transportation.
- Clean the interior surface with lukewarm water using a soft cloth.

Installation

Locate the appliance away from direct sunlight and sources of heat (stove, heater, radiator, etc.). Direct sunlight may affect the acrylic coating and heat sources may increase electrical consumption. Ambient temperature below 60.8 °F (16 °C) or above 100.4 °F (38 °C) will hinder the performance of this appliance.

This unit is not designed for use in a garage or any other outside installation.

Avoid locating the appliance in moist areas.

Plug the appliance into dedicated, properly installed-grounded wall outlet. Do not under any circumstances cut or remove the third (ground) prong from the power cord. Any questions concerning power and/or grounding should be directed toward a certified electrician or an authorized service center. **This unit is not designed to be installed in an RV or used with an inverter.**

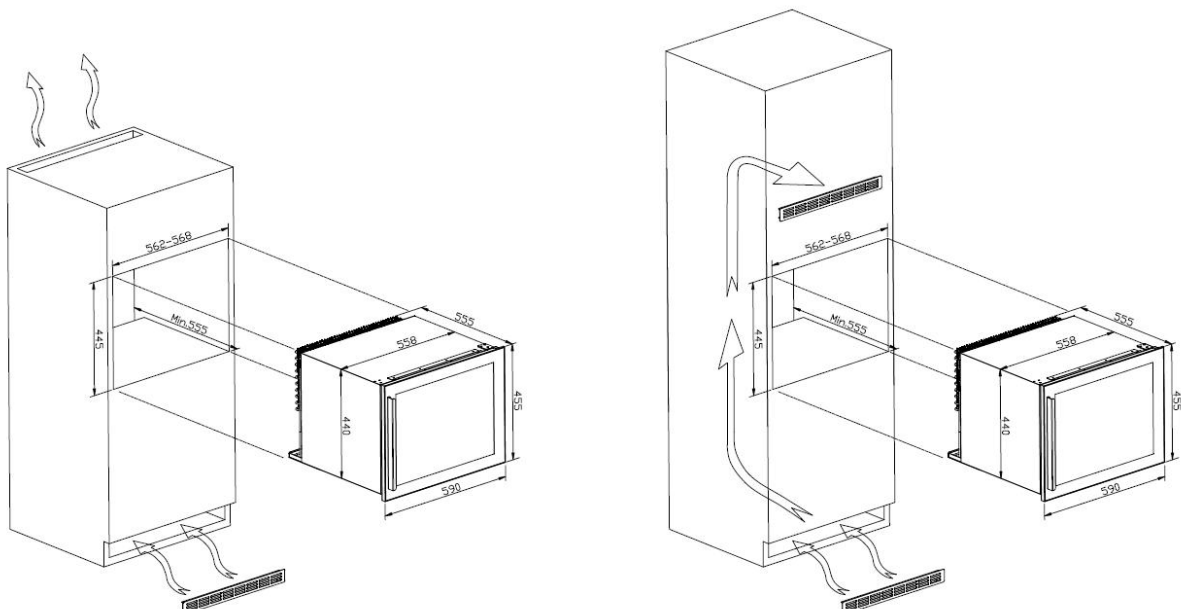
After plugging the appliance into a wall outlet, allow the unit to cool down for 3 ~ 4 hours before placing wine bottles or beverage cans in the appliance.

Ventilation

The air at the back panel of the appliance will warm up. This warm air must be able to escape. Your appliance is designed to provide this ventilation. Air inlets and outlets must not be covered or blocked in any way. This will reduce the appliance's capacity and increase power consumption.

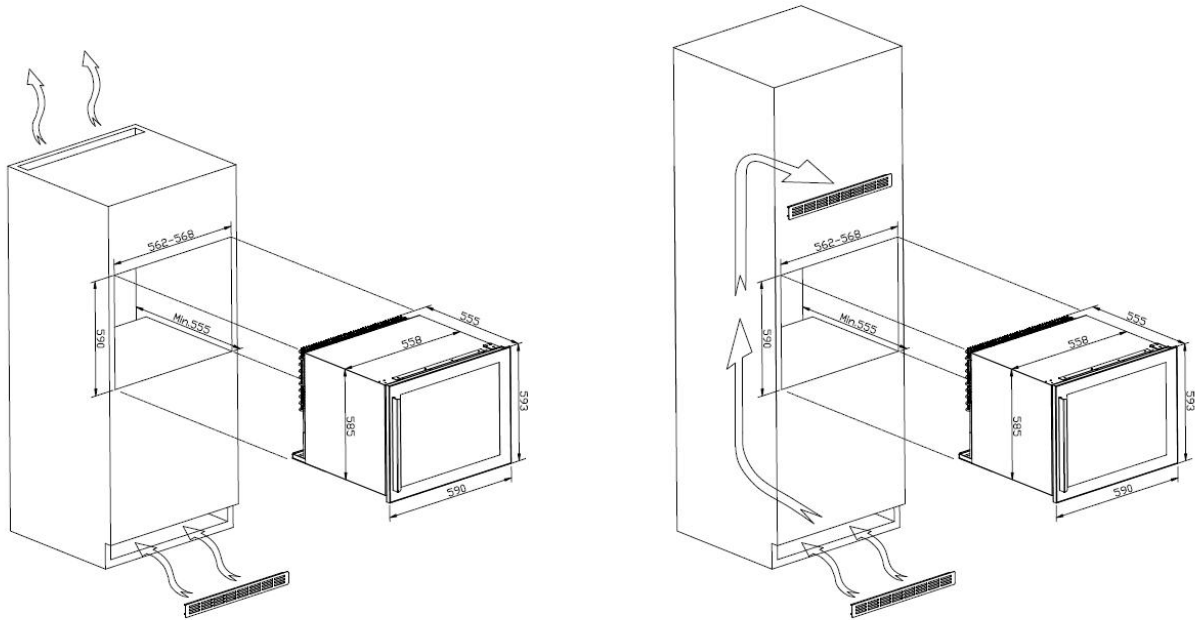
Cave 45 BI DZ

Niche dimensions: (min) W562-568 mm (max) x H445 mm x (min) D555 mm



Cave 60 BI DZ

Niche dimensions: (min) W562-568 mm (max.) x H590 mm x (min) D555 mm



Electrical connection

This appliance should be properly grounded for your safety. The power cord of this appliance is equipped with a three-prong plug which mates with standard three prong wall outlets to minimize the possibility of electrical shock.

Do not, under any circumstances, cut or remove the third ground prong from the power cord supplied.

This appliance requires a standard 220-240 Volt A.C. /50Hz electrical outlet.

This appliance is not designed to be used with an inverter.

The cord should be secured behind the appliance and not left exposed or dangling to prevent accidental injury.

Never unplug the appliance by pulling the power cord. Always grip the plug firmly and pull straight out from the outlet.

Do not use an extension cord with this appliance. If the power cord is too short, have a qualified electrician or service technician install an outlet near the appliance. Use of an extension cord can negatively affect the performance of the unit.

4. Appliance features and wine storage

Two temperature zones

There are two zones in this appliance (upper zone and lower zone). Each zone has its independent temperature control and display. Each of the two zones can be used to store wine bottles.

Interior light

Each zone has its own interior light, which can be switched on or off by pressing the pad (light) on the control panel. When pressing the light switch, both lights turn on or off at the same time. Long-life and high efficiency LEDs are installed for durability and energy saving.

Engaged wine shelves

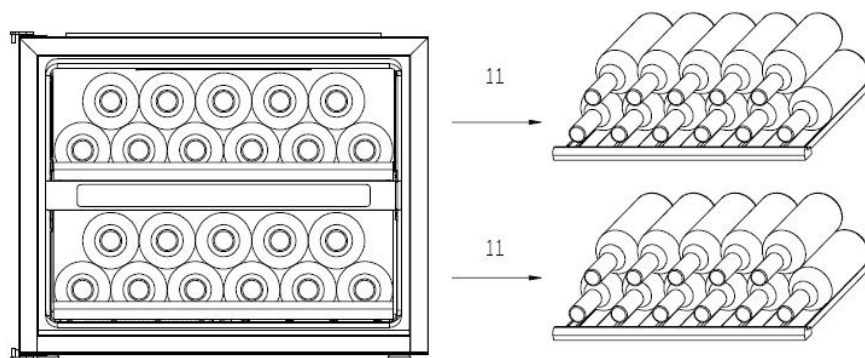
All the shelves have tabs to engage the cabinet on both sides. Any of the shelves can be removed to accommodate larger bottles.

To remove a shelf:

- Remove all bottles from the shelves.
- Unlock the clip on the gliding rail, both sides. Push the right side clip down and the left side clip up at the same time.

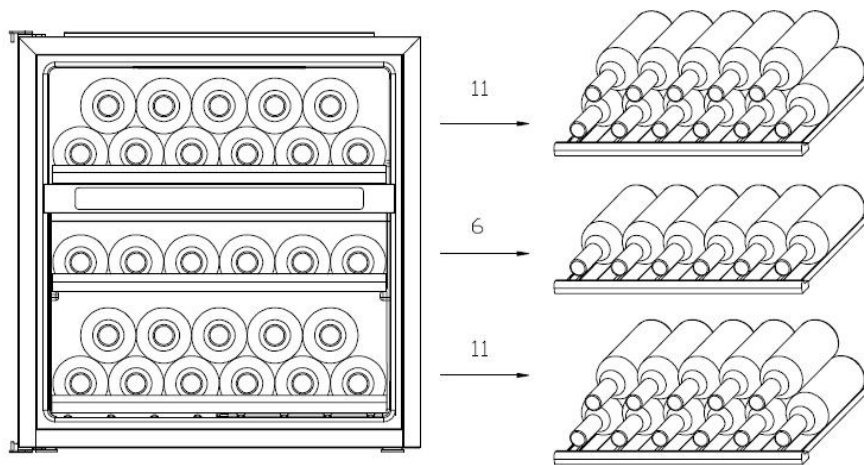
NOTE: Ensure that the clips are firmly engaged in place before storing any bottles.

CAVE 45 BI DZ



Capacity	CAVE 45 BI DZ
750 ml bottle	22
Upper zone	11
Lower zone	11
Storage volume	50 liters
Pull-out shelf dimension	466 x 340 mm

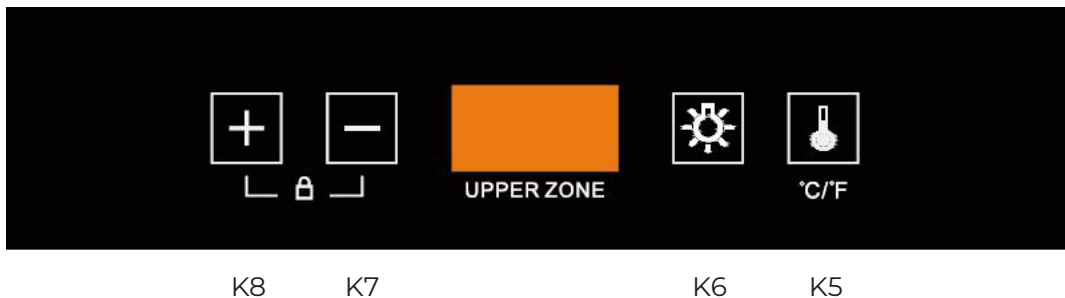
CAVE 60 BI DZ



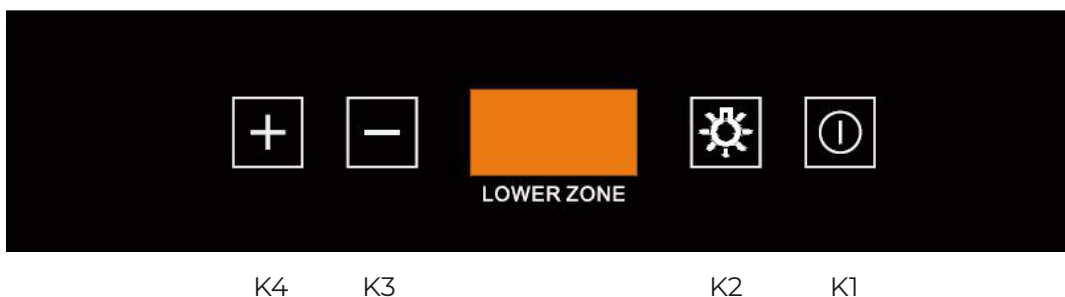
Capacity	CAVE 60 BI DZ
750 ml bottle	28
Upper zone	11
Lower zone	6 (pull-out wooden shelves x 1) + 11
Storage volume	72 liters
Pull-out shelf dimension	466 x 340 mm

5. Operating your appliance

Upper zone controller/display



Lower zone controller/display



Temperatures for wine storage

Champagne 5°C ~ 8°C

White wine 9°C ~ 14°C

Red wine 15°C ~ 18°C

Temperature control and display

1. When the unit is plugged both indicators will glow for 3 seconds (display888), and an audible beep will be heard.
2. The temperatures in the upper zone and lower zone can be independently controlled and displayed.
3. The temperature in either zone can be controlled between 5°C to 20°C. (The zone temperature may have a tolerance of +/-3°C from setting depending on different loading and ambient conditions.)

Memory device

When restarting the appliance after a power failure, the memory device will keep the last saved settings.

K1 key (ON/OFF)

Power switch: press and hold the key to turn on/off the appliances.

K2 key (lower interior light)

Interior light control switch of both zones: To turn on or off the interior light, press the K2 key once for each time. The interior light will keep lighting if it is not turned off.

K3/K4 key (colder/warmer)

Temperature setting switch of the lower zone: Under normal conditions the temperature display will flash and indicates the current temperature of the lower zone. Pressing the K3/K4 key when setting the temperature, the temperature displayed will decrease or increase in an increment of one degree. If the K3 (colder) or K4 (warmer) key is pressed and held for one second, the temperature displayed will decrease or increase in a speed of one degree per second. The temperature display will flash 5 seconds after the temperature has been set, and indicates the current temperature.

K5 key (° C/° F)

The temperature display can be changed between Celsius and Fahrenheit by pressing the K5 key.

K6 key (upper interior light)

Interior light control switch of both zones. To turn on or turn off the interior light, by pressing the K6 key once for each time. The interior light will keep lighting if it is not turned off.

K7/K8 key (colder /warmer)

Temperature setting switch of the upper zone. Under normal conditions the temperature display will flash and indicate the current temperature of the upper zone. Pressing the K7/ K8 key when setting the temperature, the temperature displayed will decrease or increase in an increment of one degree. If the K7 (colder) or K8 (warmer) key is pressed and held for one second, the temperature displayed will decrease or increase in a speed of one degree per second. The temperature display will flash 5 seconds after the temperature been set, and indicates the current temperature.

6. Care and maintenance

Defrost

- The ice build-up on the inner back wall during compressor operation will be automatically defrosted in a compressor off cycle.
- When defrosting is in process, only the circulation fans for both zones run.
- Defrost water will drain into the drip tray (on the compressor) and the Water will be evaporate by compressor.

Cleaning Your Appliance

Upon installation of your new appliance, cleaning it thoroughly is recommended.

- Unplug the unit from the wall outlet.
- Remove all contents.
- Wash the inside with a damp warm cloth soaked in lukewarm water and bak-ing soda solution. The solution should be about 2 tablespoons of baking soda to a quart of water.
- Be sure to keep the door gasket (seal) clean to keep the unit running efficiently.
- The outside of the appliance should be cleaned with mild detergent and warm water.
- Dry the interior and exterior with a soft cloth.
- Dust or anything else blocking the vent may hinder the cooling efficiency of the appliance. Vacuum the vent if necessary.

Vacation Time

- Unplug the unit from the wall outlet.
- Remove all the contents.
- Clean the appliance.
- Leave the door open slightly to avoid possible formation of condensation, mold, or odors.
- **Short vacations:** Leave the appliance operating during vacations of less than three weeks.
- **Long vacations:** If the appliance will not be used for several months, remove all content and unplug the power cord. Clean and dry the interior thoroughly. To prevent odor and mold growth, leave the door open slightly, blocking it open if necessary.

Moving Your Appliance

- Unplug the unit from the wall outlet.
- Remove all the contents.
- Securely tape down all loose items inside your appliance.
- Tape the doors shut.

Energy Saving Tips

- The appliance should be located in the coolest area of the room, away from heat producing appliances or heating ducts, and out of the direct sunlight.
- Ensure that door is closed when the appliance is plugged in.

7. Troubleshooting guide

Problem	Possible cause
Display flash and indicate “HH”, flash speed one time per second	The temperature sensor of zone > 37 °C
Display flash and indicate “LL”, flash speed one time per second	The temperature sensor of zone < 0 °C
Display flash and indicate “E0”, flash speed one time per second	Connection failure, wire or component is not connected
Display flash and indicate “E1”, flash speed one time per second	Temperature sensor is failure in corresponding zone
Display flash and indicate “E2”, flash speed one time per second	Error defrost sensor in corresponding zone
Appliance does not operate	Not plugged in. The circuit breaker has tripped or there is a blown fuse.
Temperature inside the appliance is too warm	Temperature control is set too warm. Turn the control to a cooler setting and allow several hours for the temperature to stabilize. Door is kept open too long or is opened too frequently. Warm air enters the appliance every time the door is opened. Open the door less often. The door is not closed completely. The door gasket does not seal properly. The appliance has recently been disconnected for a period of time. 4 hours are required for the appliance to cool down completely.
Temperature inside the appliance is too cold.	Temperature control is set too cold. Turn the control to a warmer setting and allow several hours for the temperature to stabilize.
Vibrations	Check to assure that the appliance is on a level surface. The appliance is touching the wall. Re-level the appliance and move it from the wall. If continued vibration occurs, turn off the appliance and unplug the power plug. Contact Customer Service Dept. for further assistance.
Moisture forms on inside appliance walls	Door is slightly open. Door is kept open too long, or is opened too frequently. Open the door less often. The door is not sealed properly
Moisture forms on outside of appliance	Door is slightly open, causing cold air from inside the appliance to meet warm moist air from outside
Temperature inside the appliance is too cold.	The appliance is not on a level surface. The gasket is dirty.

For service, see our website at en.norcool.com

By checking the above before ordering service, you will help the service engineer know what parts they may need to bring and what measures to take.

8. Technical specifications

	CAVE 45 BI DZ	CAVE 60 BI DZ
External measurements	W590 x H455 x D555 mm	W590 x H593 x D555 mm
Niche measurements	B 562-568 x H 455 x D 555 mm	B 562-568 x H 590 x D 555 mm
Capacity (standard 75 cl bottles, Ø 76 mm x 305 mm)	22	28
Weight	32 kg	36 kg
Energy consumption	105 kWt/year	135 kWt/year
Energy class	G	G
Lighting	LED 4 W	LED 4 W
Coolant	R600a	R600a

9. Disposal of used products

Disposal of the packaging material:

The packaging protects your appliance from damage during transportation. All packaging materials are recyclable and display the recycling symbol.

Ensure that any plastic wrappings, bags, etc. are disposed of safely and kept out of the reach of children, as they are a potential source of danger.

Please ask your dealer or your local authority about relevant means of safe disposal

Disposal of the appliance:

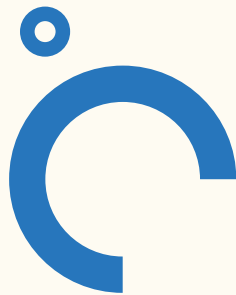
This appliance is subject to European Directive 2002/96/EC on Waste Electrical and Electronic Equipment (WEEE). This symbol indicates that this appliance must not be treated as domestic waste. Valuable raw materials can be reclaimed by recycling old appliances. By disposing of this appliance correctly, you can help prevent potentially negative consequences for the environment and public health

Scrapping the appliance:

Pull out the mains plug.

- Cut off the power cord.
- Ensure that the refrigerant circuit is not damaged before disposal. Information about the refrigerant can be found on the data plate.
- Scrapped appliances must be disposed of in a professional and appropriate way, in accordance with the current local regulations and legislation.





Scandinavian Appliances AS
Postboks 61
1740 Borgenhaugen
Norge
T: +47 815 69 117
post@norcool.no

en.norcool.com

Please visit our website for operating &
installation instructions in other languages.



Version 2.0 - November 2025